

## CEN/TC191/WG10 „Water Mist“ –Overview

EFSN 01.06.2022 – Àlex Palau

Fire Protection.

---

## Agenda

### **1) EN14972-1**

### **2) Fire Test Protocols: EN14972-2...17**

- Building Protection Overview
- Industrial Protection Overview
- EN17746 overlap prEN14972-12
- Protocols status Overview

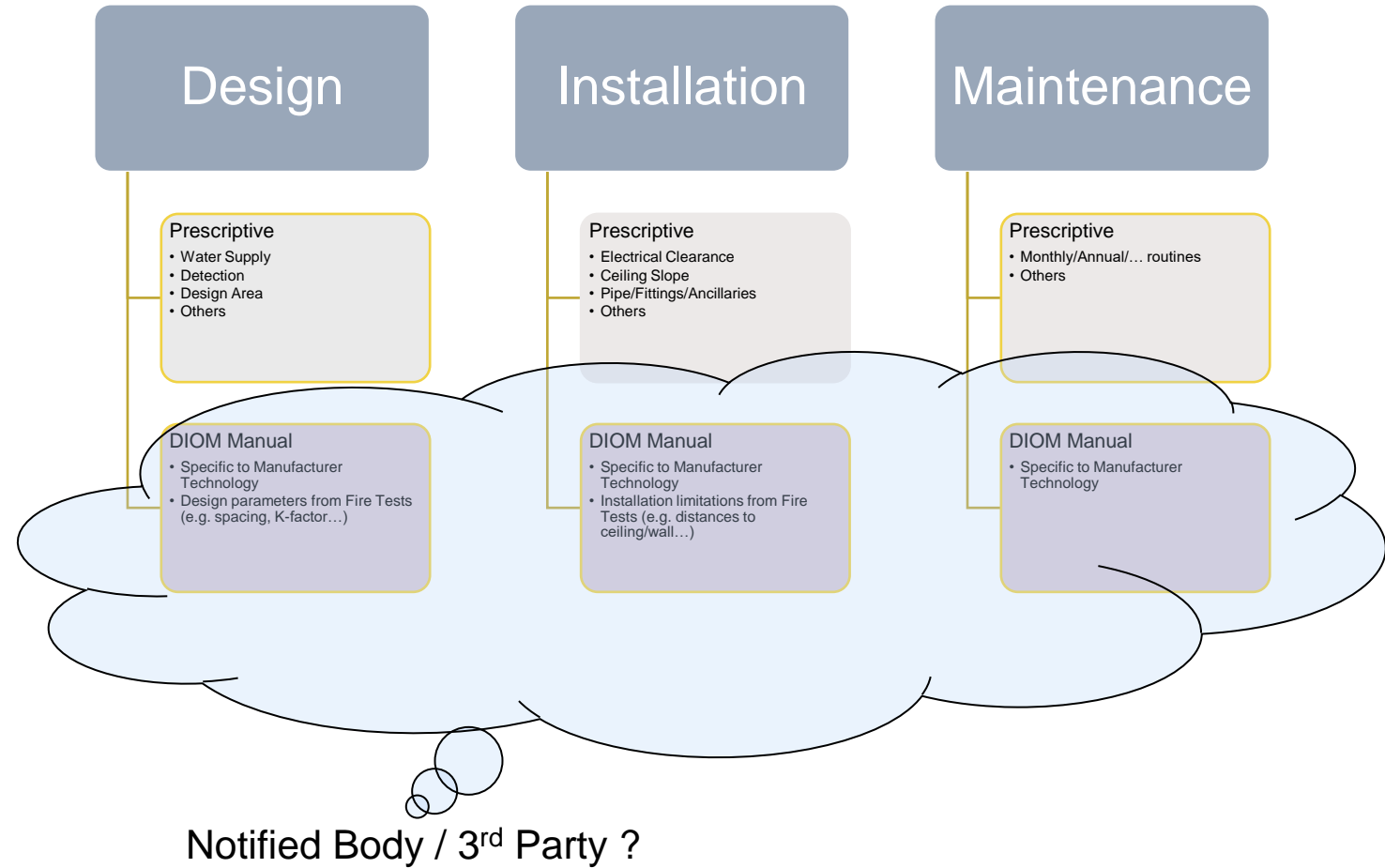
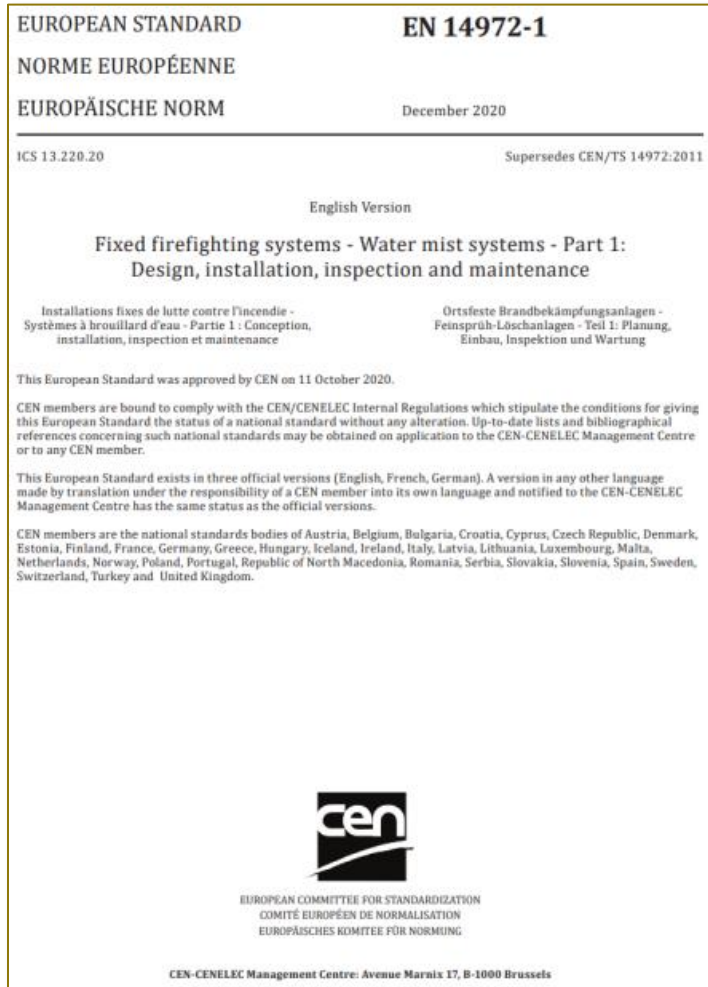
### **3) Component Test Protocols EN17450 series**

- Protocols Overview
- Protocols status Overview

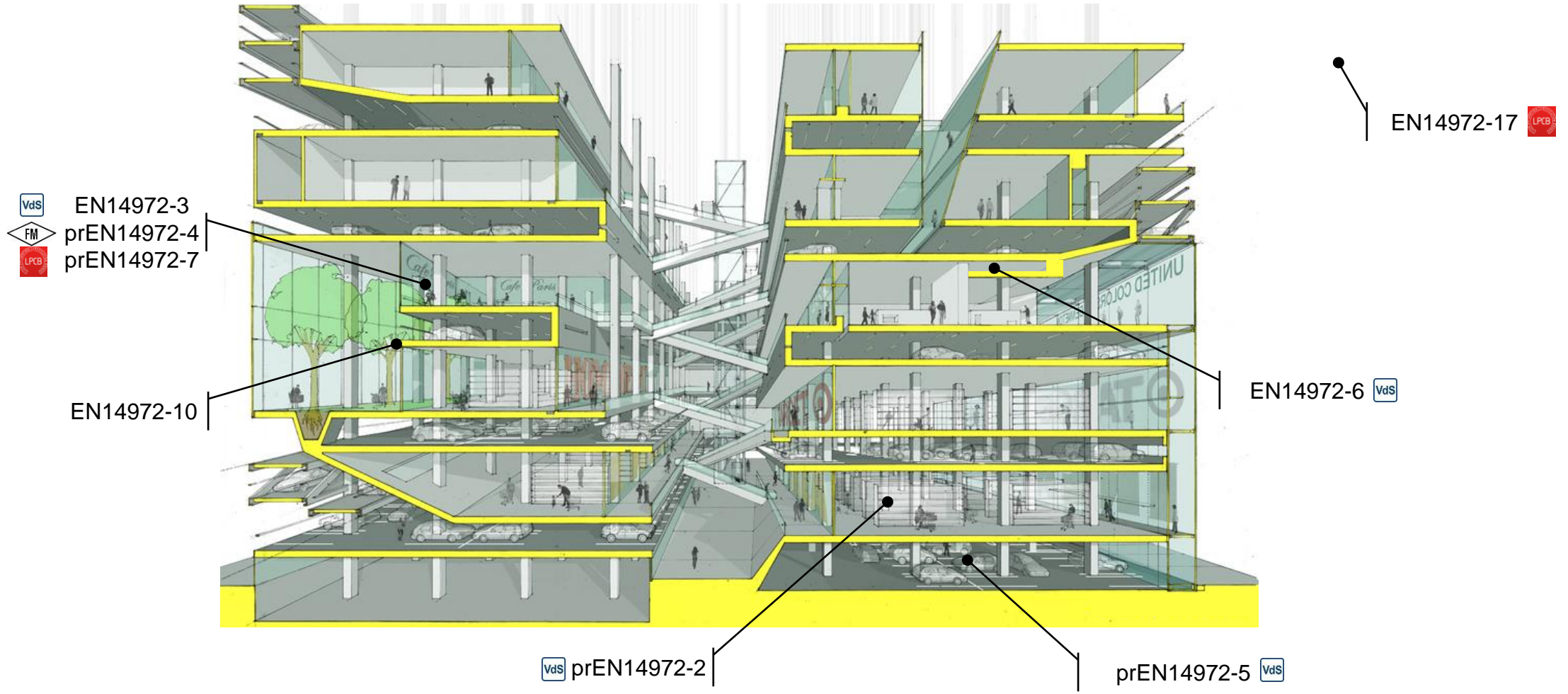
### **4) Wrapping Document**

Publish in 03-2021

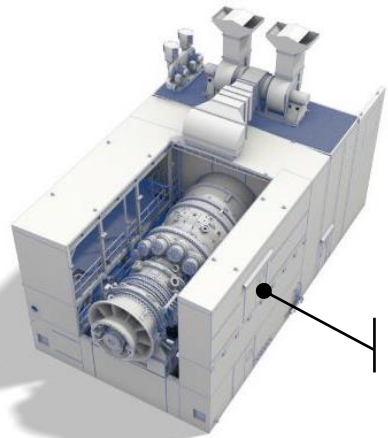
→ Implemented at National Level June 30<sup>th</sup> 2021



# EN14972-2...17 – Building Protection



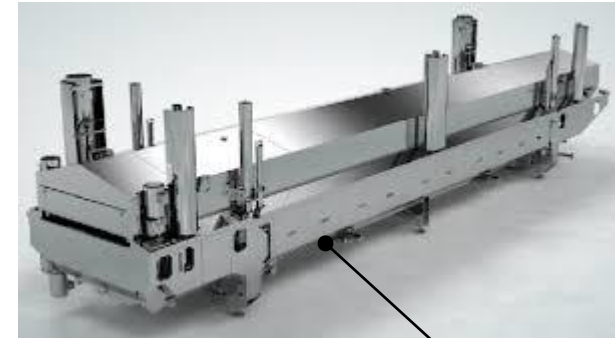
& EN14972-1 Annex A



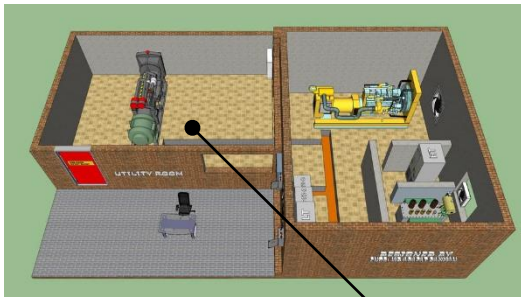
EN14972-14  
EN14972-15



EN14972-11 Vds



EN14972-16



EN14972-8  
EN14972-9



EN14972-13



EN14972-12

& EN14972-1 Annex A

## EN 17446:2021 (E)

### 1 Scope

This document establishes the minimum requirements applicable to the design, installation, functioning, test and maintenance of **fixed automatic fire extinguishing systems** for kitchen protection that covers the cooking appliances, the hood, the plenum and the air extract ducts. This document also provides requirements for the construction and components performance as applicable to specific types, designs, sizes and arrangements of pre-engineered kitchen fire-extinguishing systems.

This document does not cover household kitchens or industrial food production equipment.

The detailed test procedures for the plenum and air extract ducts are contained in CEN/TS 17749.

Closed plenum type ventilated ceilings designed similar to standard hoods are included in this document. Open plenum type ventilated ceilings are excluded and require an engineered solution for the plenum protection. Protection for appliances below open or closed plenum ventilated ceilings are included.

Fire Test Protocol	Public Enquiry	Formal Vote	Publication
prEN14972-2 Shopping areas	-	-	-
EN14972-3 Offices and Hotels	08-2019	03-2021	<b>02-2022</b>
<b>prEN14972-4 Non-storage Occupancies</b>	-	-	-
<b>prEN14972-5 Car Parks</b>	-	-	-
prEN14972-6 False floors/False ceilings	<b>07-2022</b>	09-2023	04-2024
prEN14972-7 Commercial Low Hazard Occupancies	<b>07-2022</b>	09-2023	04-2024
EN14972-8 Machinery spaces >260m3	06-2019	01-2020	<b>07-2020</b>
EN14972-9 Machinery spaces <260m3	02-2019	11-2019	<b>07-2020</b>
EN14972-10 Atrium protection	03-2021	03-2022	<b>10-2022</b>
prEN14972-11 Cable Tunnel protection	<b>07-2022</b>	09-2023	04-2024

Fire Test Protocol	Public Enquiry	Formal Vote	Publication
<b>prEN14972-12 Commercial Kitchen</b>	-	-	-
prEN14972-13 Wet Benches	-	-	-
EN14972-14 Turbine enclosures >260m <sup>3</sup>	03-2021	08-2021	<b>03-2022</b>
EN14972-15 Turbine enclosures <260m <sup>3</sup>	03-2021	08-2021	<b>03-2022</b>
EN14972-16 Industrial Oil Cookers	01-2019	07-2019	<b>02-2020</b>
prEN14972-17 Residential Occupancies	<b>07-2022</b>	09-2023	04-2024
prEN14972-XX .... More to come			





- EN17450-1 Filters and Strainers
- prEN17450-2 Nozzles
- prEN17450-3 Check Valves
- prEN17450-4 Deluge Valves & Actuators
- prEN17450-5 Pressure Switches

Component Test Protocol	Public Enquiry	Formal Vote	Publication
EN17450-1 Filters and Strainers	02-2020	01-2021	<b>08-2021</b>
<b>prEN17450-2 Nozzles</b>	-	-	-
prEN17450-3 Check Valves	-	-	-
prEN17450-4 Deluge Valves & Actuators	-	-	-
prEN17450-5 Pressure Switches	-	-	-
prEN17450-XX .... More to come			

EUROPEAN STANDARD **EN 14972-1**  
 NORME EUROPÉENNE  
 EUROPÄISCHE NORM December 2020

ICS 13.220.20 Supersedes CEN/TS 14972:2011

English Version

**Fixed firefighting systems - Water mist systems - Part 1:  
 Design, installation, inspection and maintenance**

Installations fixes de lutte contre l'incendie -  
 Systèmes à brouillard d'eau - Partie 1 : Conception,  
 installation, inspection et maintenance

Ortsfeste Brandbekämpfungsanlagen -  
 Feinsprüh-Löschanlagen - Teil 1: Planung,  
 Einbau, Inspektion und Wartung

This European Standard was approved by CEN on 11 October 2020.

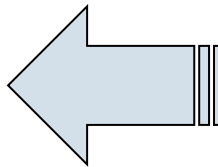
CEN members are bound to comply with the CEN/CENELEC Internal Regulations which stipulate the conditions for giving this European Standard the status of a national standard without any alteration. Up-to-date lists and bibliographical references concerning such national standards may be obtained on application to the CEN-CENELEC Management Centre or to any CEN member.

This European Standard exists in three official versions (English, French, German). A version in any other language made by translation under the responsibility of a CEN member into its own language and notified to the CEN-CENELEC Management Centre has the same status as the official versions.

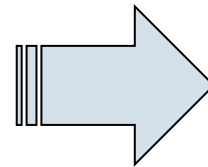
CEN members are the national standards bodies of Austria, Belgium, Bulgaria, Croatia, Cyprus, Czech Republic, Denmark, Estonia, Finland, France, Germany, Greece, Hungary, Iceland, Ireland, Italy, Latvia, Lithuania, Luxembourg, Malta, Netherlands, Norway, Poland, Portugal, Republic of North Macedonia, Romania, Serbia, Slovakia, Slovenia, Spain, Sweden, Switzerland, Turkey and United Kingdom.

EUROPEAN COMMITTEE FOR STANDARDIZATION  
 COMITÉ EUROPÉEN DE NORMALISATION  
 EUROPÄISCHES KOMITEE FÜR NORMUNG

CEN-CENELEC Management Centre: Avenue Marnix 17, B-1000 Brussels



Design  
 Limitations/Criteria



EUROPEAN STANDARD **EN 14972-17**  
 NORME EUROPÉENNE  
 EUROPÄISCHE NORM December 2020

ICS 13.220.20 Supersedes CEN/TS 14972:2011

English Version

**Fixed firefighting systems - Water mist systems - Part 1:  
 Design, installation, inspection and maintenance**

Installations fixes de lutte contre l'incendie -  
 Systèmes à brouillard d'eau - Partie 1 : Conception,  
 installation, inspection et maintenance

Ortsfeste Brandbekämpfungsanlagen -  
 Feinsprüh-Löschanlagen - Teil 1: Planung,  
 Einbau, Inspektion und Wartung

This European Standard was approved by CEN on 11 October 2020.

CEN members are bound to comply with the CEN/CENELEC Internal Regulations which stipulate the conditions for giving this European Standard the status of a national standard without any alteration. Up-to-date lists and bibliographical references concerning such national standards may be obtained on application to the CEN-CENELEC Management Centre or to any CEN member.

This European Standard exists in three official versions (English, French, German). A version in any other language made by translation under the responsibility of a CEN member into its own language and notified to the CEN-CENELEC Management Centre has the same status as the official versions.

CEN members are the national standards bodies of Austria, Belgium, Bulgaria, Croatia, Cyprus, Czech Republic, Denmark, Estonia, Finland, France, Germany, Greece, Hungary, Iceland, Ireland, Italy, Latvia, Lithuania, Luxembourg, Malta, Netherlands, Norway, Poland, Portugal, Republic of North Macedonia, Romania, Serbia, Slovakia, Slovenia, Spain, Sweden, Switzerland, Turkey and United Kingdom.

EUROPEAN COMMITTEE FOR STANDARDIZATION  
 COMITÉ EUROPÉEN DE NORMALISATION  
 EUROPÄISCHES KOMITEE FÜR NORMUNG

CEN-CENELEC Management Centre: Avenue Marnix 17, B-1000 Brussels

